

# Product data sheet

## Automation technology - Voltage and Power Supply



Product description **M12 Square male panel mount connector, Contacts: 4, unshielded, single wires, IP40, UL**

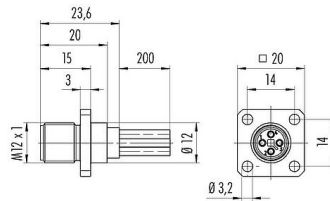
Area **series 813**

Part no. **76 0939 0115 00044-0200**

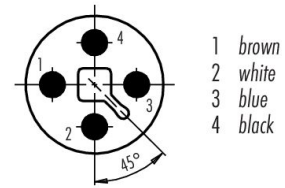
### Illustration



### Scale drawing



### Contact arrangement (Plug-in side)



You can find the assembly instructions on the next page.

## Technical data

### General features

Part no.	<b>76 0939 0115 00044-0200</b>
Notice	Alternative part no.: 09 0631 070 04 Please note that, due to the change from the old to the new order number, there may be deviations in the technical specifications. For questions about product details, please use the 'Contact Customer Service' form on the right.
Connector design	Square male panel mount connector
Type standard	DIN EN IEC 61076-2-111:2018-10; VDE 0687-76-2-111:2018-10
Wire length	0.2 m (Standard 0.2m. Other lengths are available on request).
Version	Connector pin straight
Connector locking system	screw
Termination	single wires
Degree of protection	IP40 IP67 with seal, see accessories
Connection cross-section	1.38 mm <sup>2</sup> / AWG 16
Temperature range from/to	-40 °C / 85 °C
Mechanical operation	> 100 Mating cycles
Weight (g)	26.81
Customs tariff number	85369010
Country of Origin	DE

### Electrical parameters

Rated voltage	63 V
Rated impulse voltage	1500 V
Rated current	12.0 A
Pollution degree	3

# Product data sheet

## Automation technology - Voltage and Power Supply



Product description **M12 Square male panel mount connector, Contacts: 4, unshielded, single wires, IP40, UL**

Area **series 813**

Part no. **76 0939 0115 00044-0200**

Overvoltage category	III
Insulating material group	II
EMC compliance	unshielded

### Material

Contact body material	PA
Contact material	CuZn (brass)
Contact plating	Au (gold)
REACH SVHC	CAS 7439-92-1 (Lead)
SCIP number	bdc5933-9a2e-47f1-b05f-60769ca803cc
PFAS present	yes

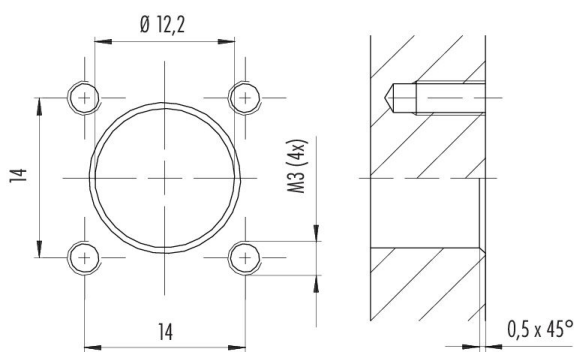
### Authorization/approvals

Approvals	UL
-----------	----

### Classifications

eCl@ss 11.1	27-44-01-09
ETIM 9.0	EC003569

### Assembly instructions / Panel cut-out



#### Voraussetzungen für Schutzart IP67:

1. Verwendung von Dichtung, Best.-Nr. 16 0959 000
2. Gewinde M3 (4x) als Gewindefacklöcher oder Schraubenköpfe abgedichtet

#### Requirements for Degree of protection IP67:

1. Use of sealing, Ordering-No. 16 0959 000
2. M3 thread (4x) sealed as a threaded blind holes or screw heads

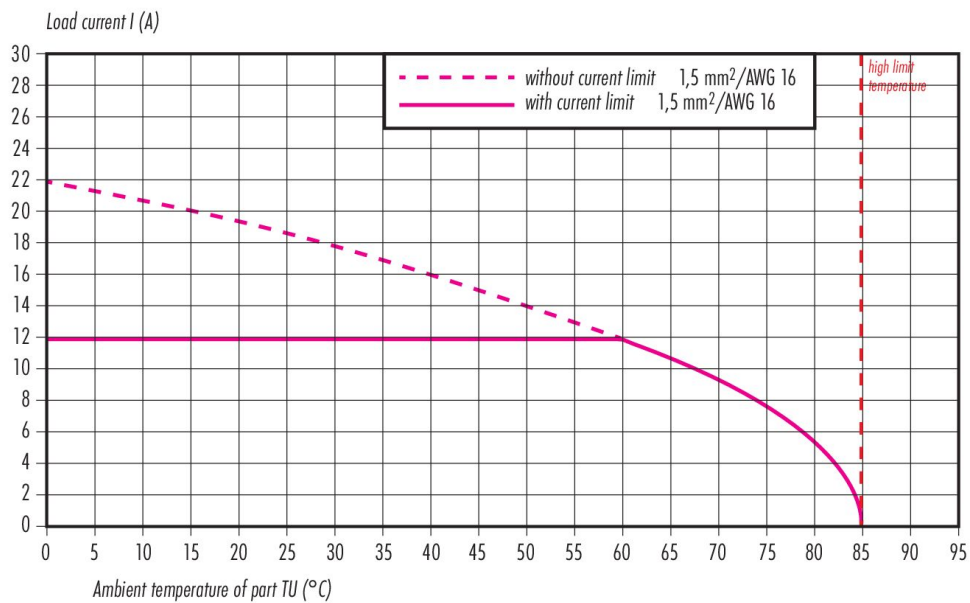
# Product data sheet

## Automation technology - Voltage and Power Supply



Product description **M12 Square male panel mount connector, Contacts: 4, unshielded, single wires, IP40, UL**  
Area **series 813**  
Part no. **76 0939 0115 00044-0200**

### Derating curve



# Product data sheet

## Automation technology - Voltage and Power Supply



Product description	<b>M12 Square male panel mount connector, Contacts: 4, unshielded, single wires, IP40, UL</b>
Area	<b>series 813</b>
Part no.	<b>76 0939 0115 00044-0200</b>

### General Disclaim Notice

The connector must not be plugged or unplugged under load. Non-observance and improper use can result in personal injury.

The connectors have been developed for applications in plant engineering, control and electrical equipment construction. The user is responsible for checking whether the connectors can also be used in other areas of application.

Connectors which are used in circuits with voltages dangerous to the touch may only be installed and used by, or under the supervision of, persons with electrical engineering training, taking into account the applicable regulations and standards.

The user must take suitable safety precautions to ensure that the connector cannot be accidentally disconnected.

Plug connectors with enclosure protection IP67 and IP68 are not suitable for use under water. When used outdoors, the plug connectors must be protected separately against corrosion. For further information on the IP protection classes, please refer to the "Technical Information" download centre.

Please observe the pollution degree and the overvoltage category. For further information, please refer to the download center "Technical Information".

To lock the cable connector with the device connector, the threaded ring is tightened "hand-tight" (approx. 60 cNm).