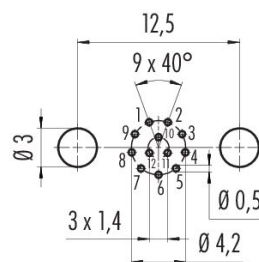


Product description **M8 Female panel mount connector, Contacts: 12, shieldable, THT, IP67, UL, screwable from the front**
 Area **series 718**
 Part no. **86 6618 1120 00012**

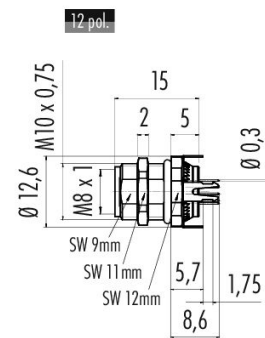
Illustration



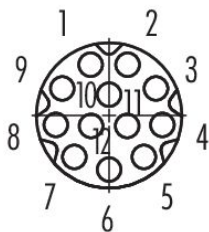
Conductor layout



Scale drawing



Contact arrangement (Plug-in side)



You can find the assembly instructions on the next page.

Technical data

[General features](#)

Part no. **86 6618 1120 00012**

Product description	M8 Female panel mount connector, Contacts: 12, shieldable, THT, IP67, UL, screwable from the front
Area	series 718
Part no.	86 6618 1120 00012

Connector design	Female panel mount connector
Type standard	DIN EN 61076-2-104
Connector locking system	screw
Termination	THT
Degree of protection	IP67 IP69K
Mechanical operation	> 100 Mating cycles
Additional information	screwable from the front
Weight (g)	5.12
Customs tariff number	85369010
Country of Origin	DE

Electrical parameters

Rated voltage	32 V
Rated impulse voltage	500 V
Rated current	1.0 A
Insulation resistance	> 10 ⁸ Ω
Pollution degree	3
Insulating material group	I
EMC compliance	shieldable
Voltage	500 V DC

Material

Housing material	CuZn (Brass nickel plated)
Contact body material	PUR black
Contact material	CuZn (brass) / CuSn (bronze)
Contact plating	Au (gold)
REACH SVHC	None (No pollutants)
SCIP number	94f8f9f2-b257-4236-a08f-51e8b1874daf
PFAS present	yes

Authorization/approvals

Approvals	UL
-----------	----

Classifications

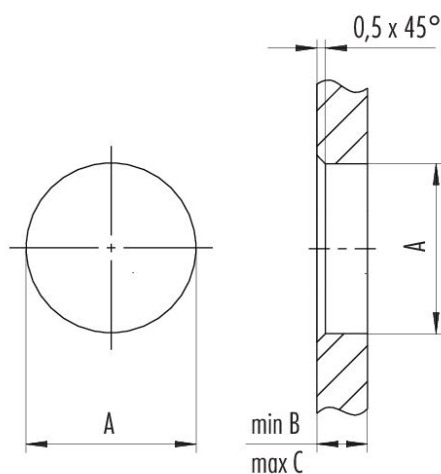
ETIM 9.0	EC003569
----------	----------

Product description **M8 Female panel mount connector, Contacts: 12, shieldable, THT, IP67, UL, screwable from the front**

Area **series 718**
Part no. **86 6618 1120 00012**

Assembly instructions / Panel cut-out

2. Einbauvorschlag
Mit Durchgangsbohrung



Gewinde E	A	B	C	D
M8 x 0,5	8,1	2,5	3,5	7,1
M8 x 1	8,1	2,5	3,5	7,1
M10 x 0,75	10,1	2,5	5,0	9,1

Anzugsdrehmoment

M8 x 0,5	0,8 Nm
M8 x 1/M10 x 0,75	1,0 Nm

Product description	M8 Female panel mount connector, Contacts: 12, shieldable, THT, IP67, UL, screwable from the front
Area	series 718
Part no.	86 6618 1120 00012

General Disclaim Notice

The connector must not be plugged or unplugged under load. Non-observance and improper use can result in personal injury.

The connectors have been developed for applications in plant engineering, control and electrical equipment construction. The user is responsible for checking whether the connectors can also be used in other areas of application.

Connectors which are used in circuits with voltages dangerous to the touch may only be installed and used by, or under the supervision of, persons with electrical engineering training, taking into account the applicable regulations and standards.

The user must take suitable safety precautions to ensure that the connector cannot be accidentally disconnected.

Plug connectors with enclosure protection IP67 and IP68 are not suitable for use under water. When used outdoors, the plug connectors must be protected separately against corrosion. For further information on the IP protection classes, please refer to the "Technical Information" download centre.

Please observe the pollution degree and the overvoltage category. For further information, please refer to the download center "Technical Information".

To lock the cable connector with the device connector, the threaded ring is tightened "hand-tight" (approx. 40 cNm). A torque wrench for SW9 is available as an accessory (order no. 07 0085 000).