

Product data sheet

Automation technology - Voltage and Power Supply



Product description **M12 Female angled connector, Contacts: 4, 8.0-10.0 mm, unshielded, screw clamp, IP67, UL, VDE**

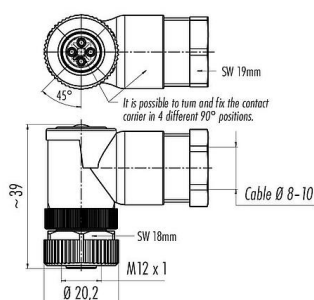
Area **series 813**

Part no. **99 0630 58 04**

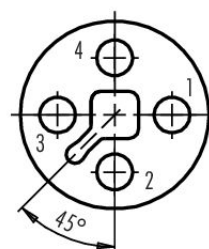
Illustration



Scale drawing



Contact arrangement (Plug-in side)



You can find the assembly instructions on the next page.

Technical data

General features

Part no.	99 0630 58 04
Connector design	Female angled connector
Type standard	DIN EN IEC 61076-2-111:2018-10;VDE 0687-76-2-111:2018-10
Version	Connector socket angled
Connector locking system	screw
Termination	screw clamp
Degree of protection	IP67
Connection cross-section	max. 1.50 mm ² / AWG 16
Cable outlet	8.0-10.0 mm
Twistability	90° (4 coding options)
Temperature range from/to	-40 °C / 85 °C
Mechanical operation	> 100 Mating cycles
Weight (g)	29.50
Customs tariff number	85369010
Country of Origin	DE

Electrical parameters

Rated voltage	63 V
Rated impulse voltage	1500 V
Rated current	12.0 A
Pollution degree	3



Date: 15.05.2025

Product data sheet

Automation technology - Voltage and Power Supply



Product description	M12 Female angled connector, Contacts: 4, 8.0-10.0 mm, unshielded, screw clamp, IP67, UL, VDE
Area	series 813
Part no.	99 0630 58 04

Overvoltage category	III
Insulating material group	III
EMC compliance	unshielded

Material

Housing material	Zinc die-cast nickel-plated
Contact body material	PA
Contact material	CuZn (brass)
Contact plating	Au (gold)
REACH SVHC	CAS 7439-92-1 (Lead)
SCIP number	69432c3f-eebd-4beb-9460-5f23dc607e8d
PFAS present	yes

Authorization/approvals

Approvals	UL, VDE
-----------	---------

Classifications

eCl@ss 11.1	27-44-01-02
ETIM 9.0	EC002635

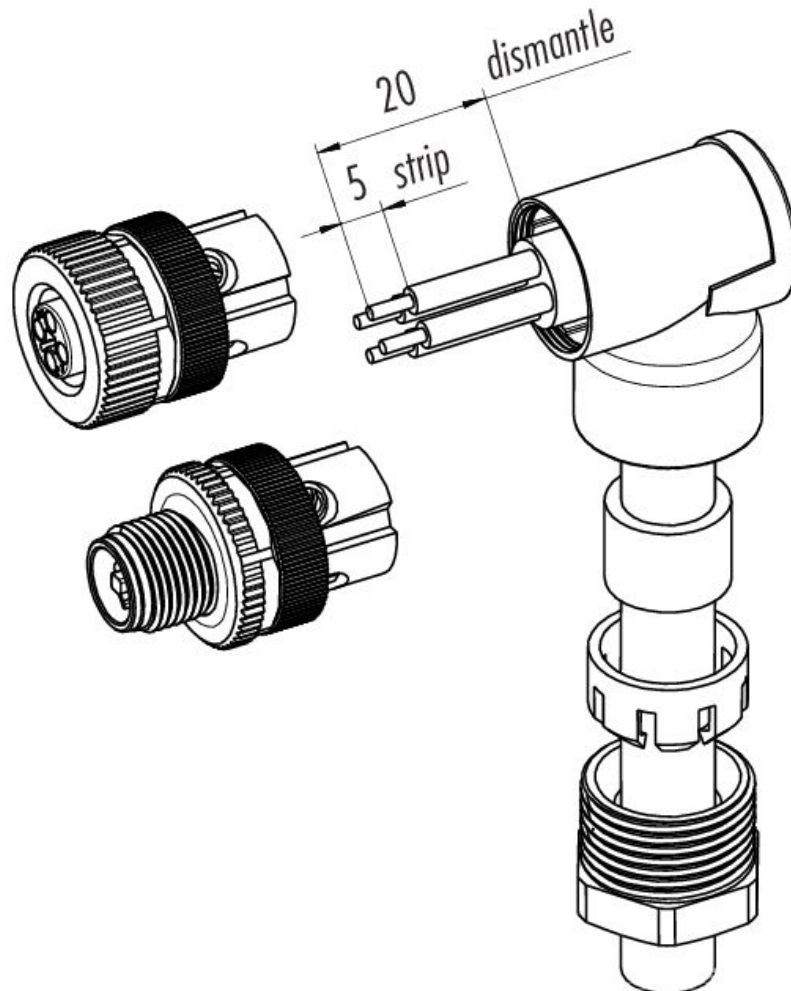
Product data sheet

Automation technology - Voltage and Power Supply



Product description	M12 Female angled connector, Contacts: 4, 8.0-10.0 mm, unshielded, screw clamp, IP67, UL, VDE
Area	series 813
Part no.	99 0630 58 04

Assembly instructions



Product data sheet

Automation technology - Voltage and Power Supply

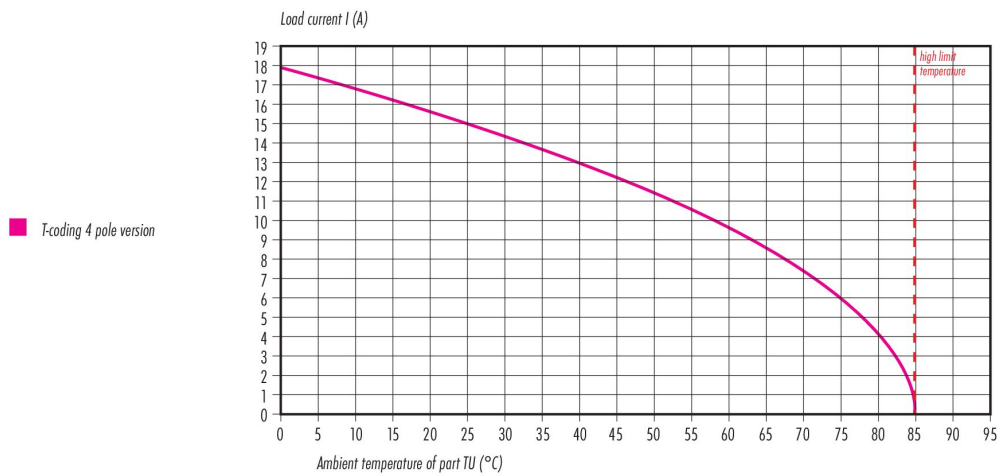


Product description **M12 Female angled connector, Contacts: 4, 8.0-10.0 mm, unshielded, screw clamp, IP67, UL, VDE**

Area **series 813**

Part no. **99 0630 58 04**

Derating curve



Product description	M12 Female angled connector, Contacts: 4, 8.0-10.0 mm, unshielded, screw clamp, IP67, UL, VDE
Area	series 813
Part no.	99 0630 58 04

General Disclaim Notice

The connector must not be plugged or unplugged under load. Non-observance and improper use can result in personal injury.

The connectors have been developed for applications in plant engineering, control and electrical equipment construction. The user is responsible for checking whether the connectors can also be used in other areas of application.

To protect against unintentional opening of the connector, the thread between the housing and the connector head must be secured with a suitable cyanoacrylate adhesive when used in circuits with voltages dangerous to the touch. This does not apply to connectors used in SELV and PELV circuits according to IEC 61140 (EN 61140, VDE 0140-1).

Connectors which are used in circuits with voltages dangerous to the touch may only be installed and used by, or under the supervision of, persons with electrical engineering training, taking into account the applicable regulations and standards.

The user must take suitable safety precautions to ensure that the connector cannot be accidentally disconnected.

Plug connectors with enclosure protection IP67 and IP68 are not suitable for use under water. When used outdoors, the plug connectors must be protected separately against corrosion. For further information on the IP protection classes, please refer to the "Technical Information" download centre.

Please observe the pollution degree and the overvoltage category. For further information, please refer to the download center "Technical Information".

To lock the cable connector with the device connector, the threaded ring is tightened "hand-tight" (approx. 60 cNm).